

**ITW Angleboard**

# Angleboard®



## The perfect edge to protect your product line

- Reduce product damage
- Higher strap tension
- More secure loads
- Branding opportunities



**100% Recyclable**

ITW Angleboard products are made from 100% recycled materials and are 100% recyclable.

**ITW Angleboard**

We've got all the angles covered.

# ITW Angleboard

**100% Recyclable**

ITW Angleboard products are made from 100% recycled materials and are 100% recyclable.



## Edge Protection • Load Stability • Stacking Strength

Angleboard® is made of multiple plies of recycled paper, laminated together and formed into a rigid right angle.

Angleboard:

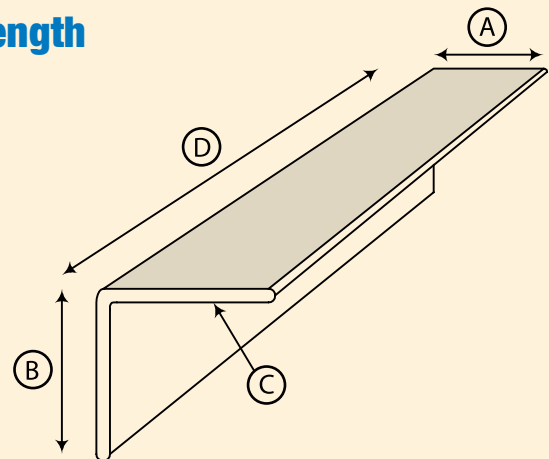
- Enhances the stacking strength of palletized goods
- Prevents surface scratches
- Repels and absorbs corner blows
- Is an excellent replacement for wood packaging
- Can be sized to serve any size load or container

Angleboard serves a variety of packaging functions, including edge protection, unitization, load stability, beam strength and stacking strength.

Special surface finishes are available, including moisture-resistance and abrasion-resistant coatings. One and two-color printing is also available for branding, product identification and instructional purposes.

### ITW Angleboard

595 Telser Road • Suite 100 • Lake Zurich, Illinois 60047  
Phone: 1-800-252-4777 • [www.angleboard.com](http://www.angleboard.com)



### Specifications

Angleboard sizes are based on the following dimensions\*:

- A Leg length one –**  
Available from 1.5 – 4 inches (38.1 mm – 101.6 mm)
- B Leg Length Two –**  
Available from 1.5 – 4 inches (38.1 mm – 101.6 mm)
- C Caliper –**  
Available from .060 – .500 inches (1.5 mm – 12.7 mm)
- D Length –**  
Available from 2.5 inches – 240 inches (50.8 mm – 6,096 mm)

\*Together, the Angleboard leg lengths cannot exceed 8 inches (203.2 mm).

ITW Angleboard **We've got all the angles covered.**